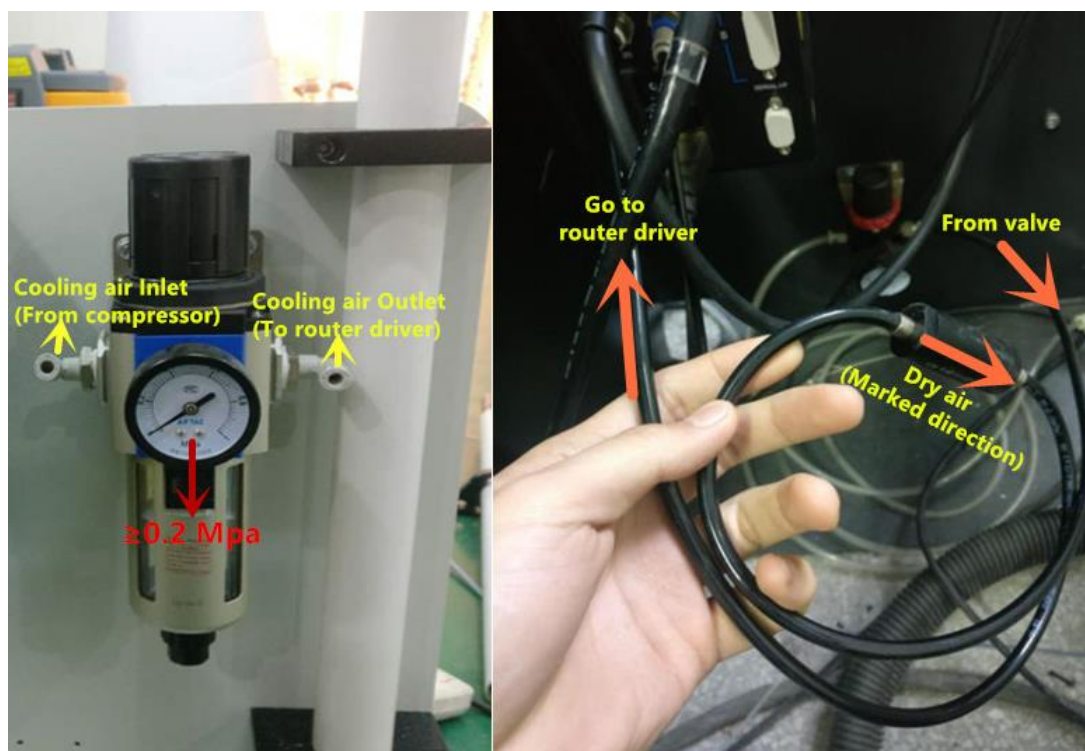


# Add 350W Router

## 1. Cables and pipes connection



INPUT: AC100-240V  
50/60HZ  
1PHASE 1.8A

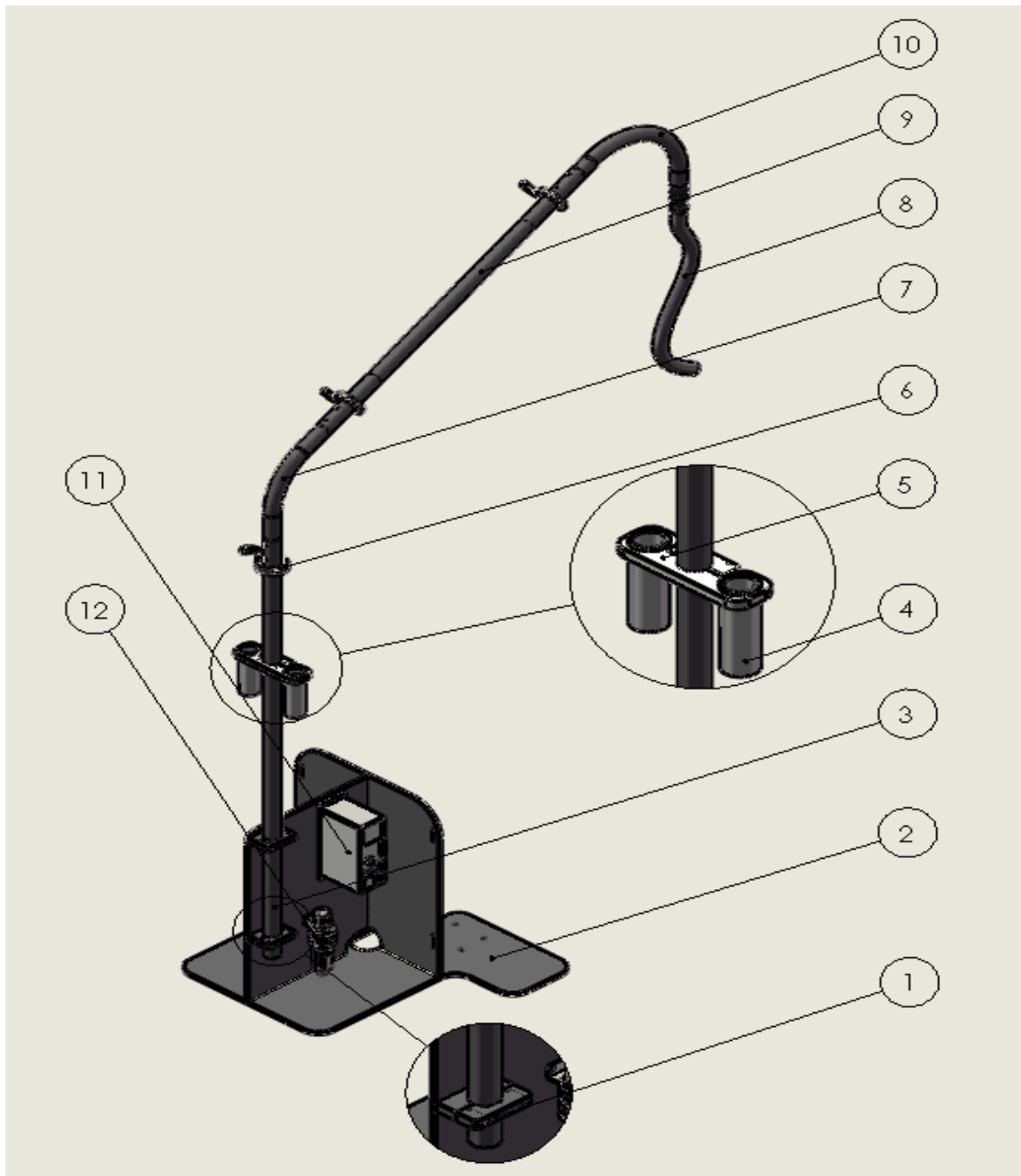
OUTPUT: AC 33V  
3PHASE 2.4A  
0-1KHZ

Air pressure: 0.3Mpa

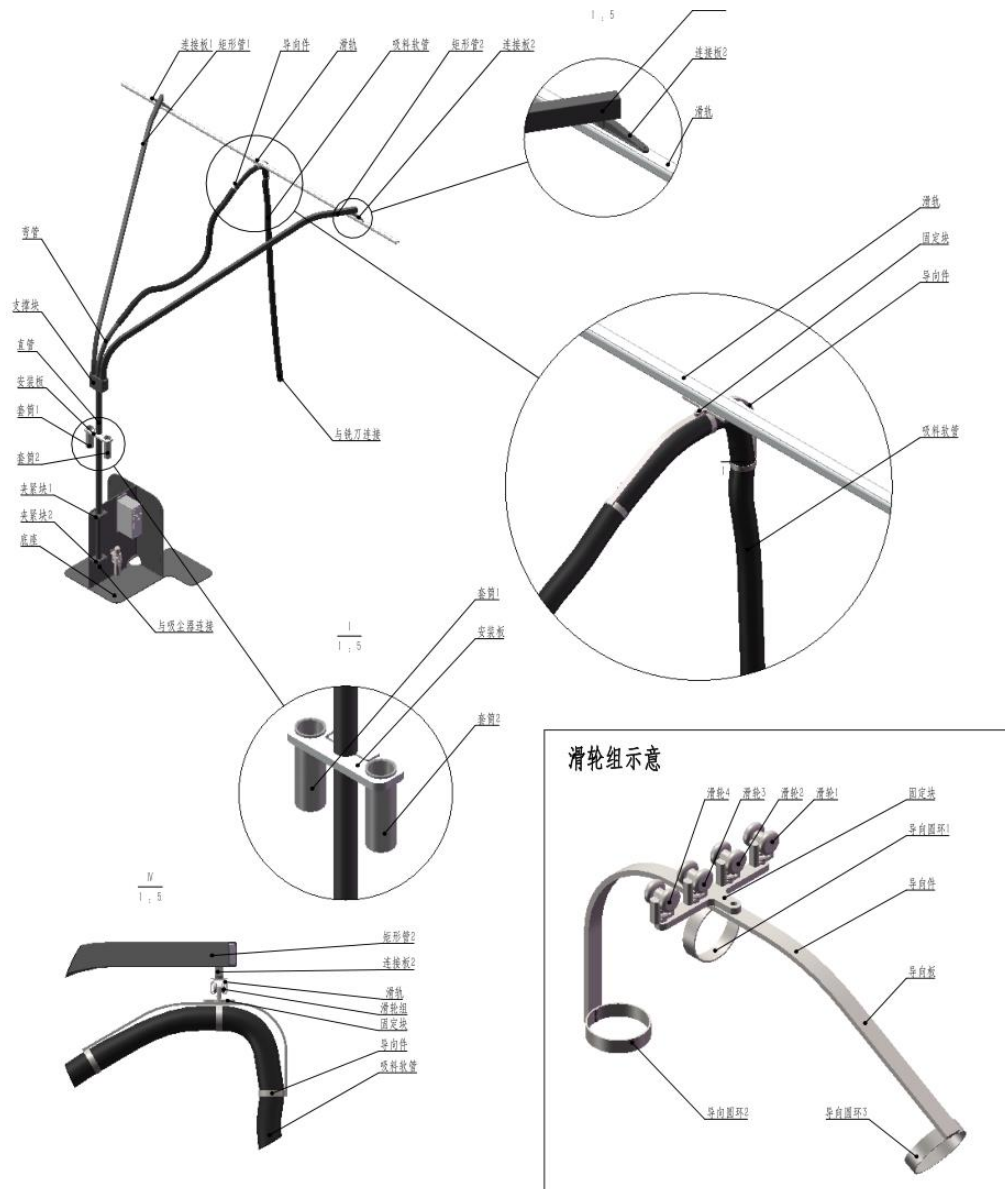
Air flow: 0.4m<sup>3</sup> /min

## 2. Holder installation

Standard holder:



# Large-format holder:



### 3.Brush holder installation

